

A65-11W
Page 1 and 2 are missing

MOUNTING POSITION

The tube socket should not be rigidly mounted but should have flexible leads and be allowed to move freely. The bottom circumference of the base shell will fall within a circle of 40mm diameter which is centred upon the perpendicular from the centre of the face.

This tube is fitted with a pin protector in order to avoid damage to the glass base due to bending of the base pins whilst handling the tube.

It is advisable to keep this pin protector on the base until it can be replaced by the socket after installation of the tube in any equipment.

RATINGS (DESIGN CENTRE SYSTEM)

V_{a2+a4} max. (at $I_{a2+a4} = 0$) (see note 1)	20	kV
V_{a2+a4} min.	13	kV
$+V_{a3}$ max.	1.0	kV
$-V_{a3}$ max.	500	V
$+v_{a3(pk)}$ max. (see note 2)	2.5	kV
V_{a1} max.	700	V
V_{a1} min.	350	V
$-v_{g(pk)}$ max. (see note 2)	400	V
$-V_g$ max. (see note 3)	150	V
$\pm I_{a3}$ max.	25	μA
$\pm I_{a1}$ max.	5	μA
V_{h-k} (see note 4)		
Cathode positive		
d.c. max.	250	V
pk max.	300	V
Cathode negative		
d.c. max.	135	V
pk max.	180	V
R_{h-k} max.	1.0	M Ω
Z_{k-e} max. ($f = 50c/s$)	100	k Ω
R_{g-k} max.	1.5	M Ω
Z_{g-k} max. ($f = 50c/s$)	500	k Ω

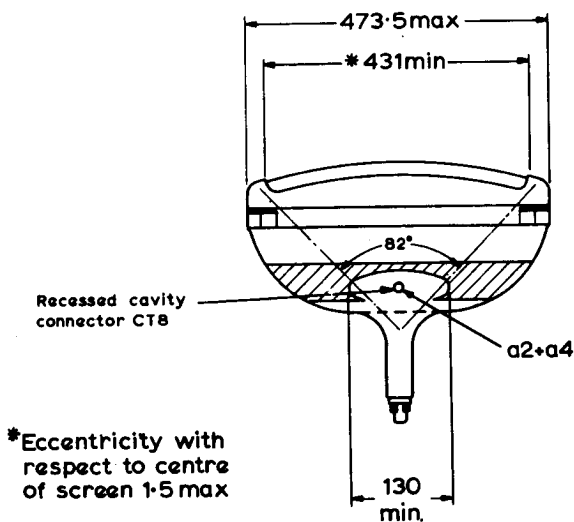
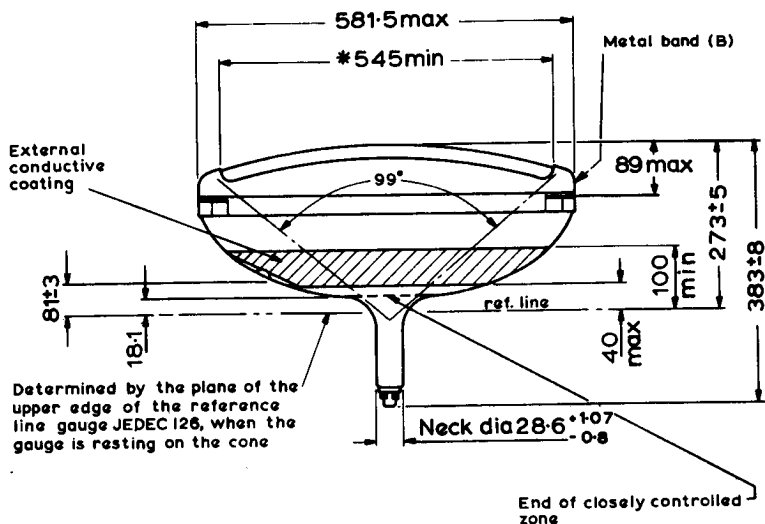
1. Adequate precautions should be taken to ensure that the receiver is protected from damage which may be caused by a possible high voltage flashover within the cathode ray tube.
2. Maximum pulse duration 22% of one cycle with a maximum of 1.5ms.
3. The d.c. value of bias must not be such as to allow the grid to become positive with respect to the cathode, except during the period immediately after switching the receiver on or off when it may be allowed to rise to +2V.
It is advisable to limit the positive excursion of the video signal to +5V(pk) max. This may be achieved automatically by the series connection of a 10k Ω resistor.
4. During an equipment warm-up period not exceeding 15 seconds $v_{h-k}(pk)$ max. (cathode positive) is allowed to rise to 410V. Between 15 and 45 seconds after switching on a decrease in $v_{h-k}(pk)$ max. (cathode positive) proportional with time from 410V to 250V is permissible.
5. The metal band (B) must be connected to the chassis via a 2M Ω resistor. The mounting lugs have electrical contact with the metal band.

WARNING

X-ray shielding is advisable to give protection against possible danger of personal injury arising from prolonged exposure at close range to this tube when operated above 20kV.

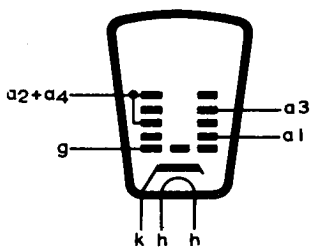
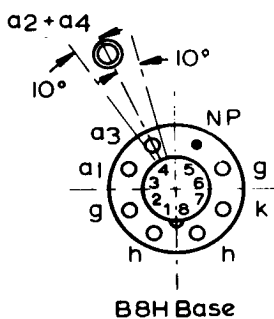
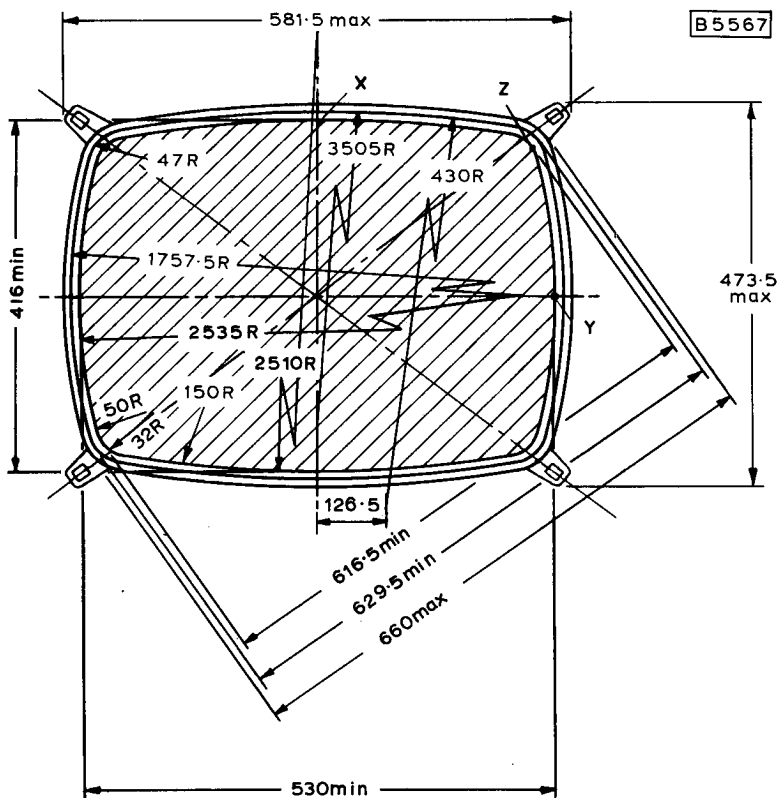
WEIGHT

Tube alone	18	kg
	40	lb



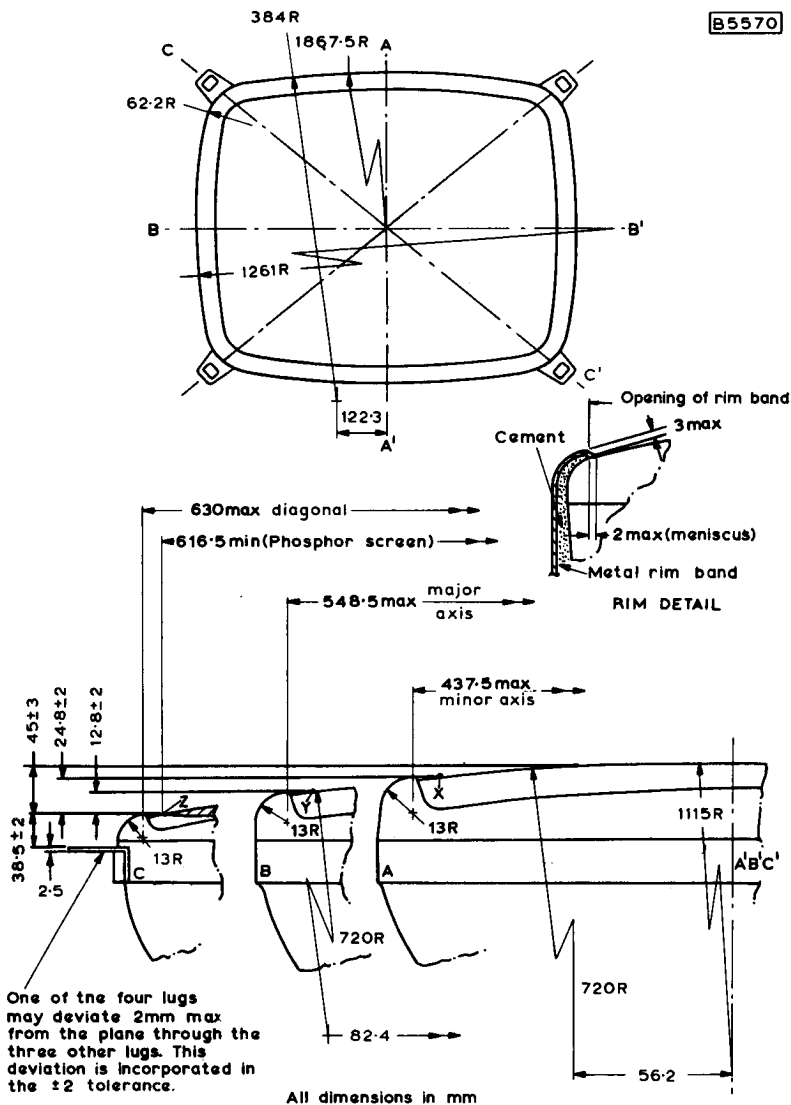
All dimensions in mm.

B5563

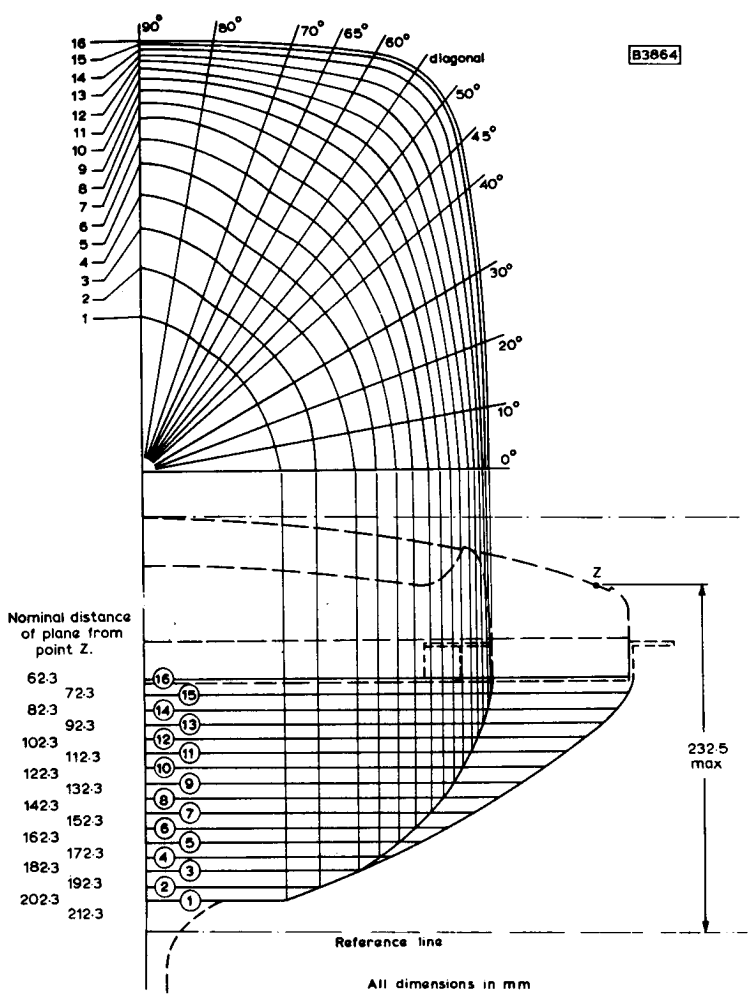


All dimensions in mm

B5570



B3864



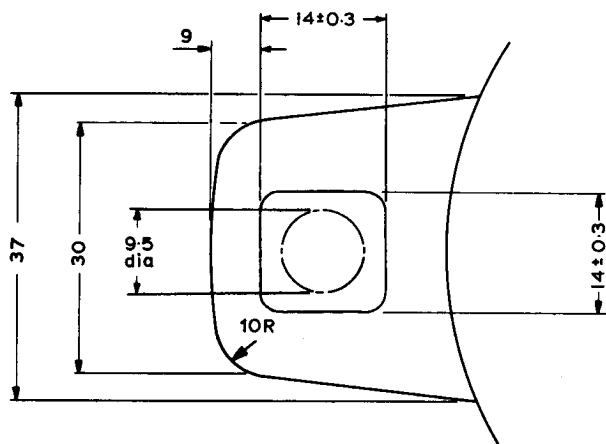
MAXIMUM CONE CONTOURS



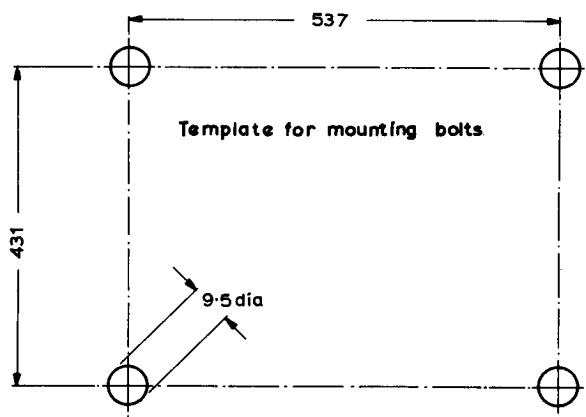
DIMENSIONS FOR MAXIMUM CONE CONTOUR DRAWING (Page D8)

Section	diagonal										long		
	0° short	10°	20°	30°	40°	45°	50°	54° 41'	60°	65°	70°	80°	90°
1	92.2	92.2	92.2	92.2	92.2	92.2	92.2	92.2	92.5	93.4	94.7	100.4	104.7
2	119.9	119.9	119.9	119.9	119.9	119.9	119.9	119.9	120.4	121.8	124.1	132.3	137.8
3	143.5	143.6	143.7	143.9	144.2	144.4	144.5	144.5	145.1	146.9	149.8	159.2	164.6
4	161.0	161.2	161.9	163.1	164.8	165.7	166.5	166.8	167.5	169.6	173.0	182.7	187.7
5	174.8	175.2	176.5	179.0	182.7	184.7	186.6	187.2	188.0	190.3	194.1	203.8	208.1
6	186.2	186.8	188.9	192.7	198.6	201.9	205.1	206.1	207.0	209.4	213.6	222.2	225.2
7	195.8	196.7	199.5	204.7	212.9	217.6	222.2	223.8	224.7	227.3	230.9	236.6	238.5
8	204.0	205.1	208.7	215.4	225.9	232.0	238.3	240.3	241.2	243.1	245.2	248.4	249.4
9	211.1	212.4	216.8	224.9	237.9	245.5	253.3	255.9	256.2	256.7	257.3	258.2	258.6
10	217.2	218.8	223.8	233.5	248.9	258.0	267.5	270.7	269.9	268.7	267.8	266.7	266.3
11	222.4	224.2	230.1	241.2	259.1	269.8	280.9	284.6	282.6	279.4	276.9	273.8	272.9
12	226.8	228.9	235.6	248.2	268.5	280.8	293.6	298.0	294.4	289.0	284.9	279.9	278.4
13	230.5	232.8	240.3	254.5	277.3	291.1	305.7	310.6	305.3	297.7	292.0	285.2	283.1
14	233.5	236.1	244.4	260.2	285.6	300.9	317.1	322.6	315.6	305.5	298.2	289.6	287.0
15	235.9	238.8	247.9	265.3	292.2	307.8	324.0	329.5	322.5	311.9	303.6	293.3	290.2
16	237.7	240.8	250.5	268.2	295.1	310.7	327.0	332.4	325.4	314.8	306.5	295.9	292.5

All dimensions in mm



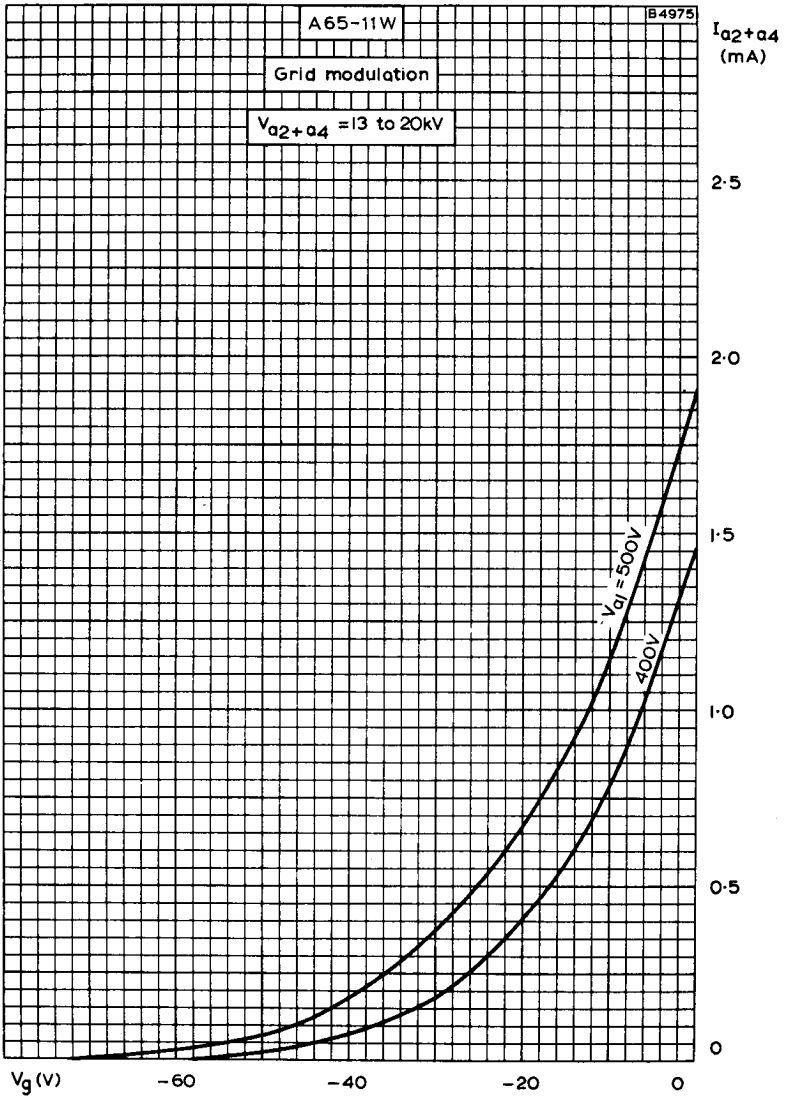
Mounting lug



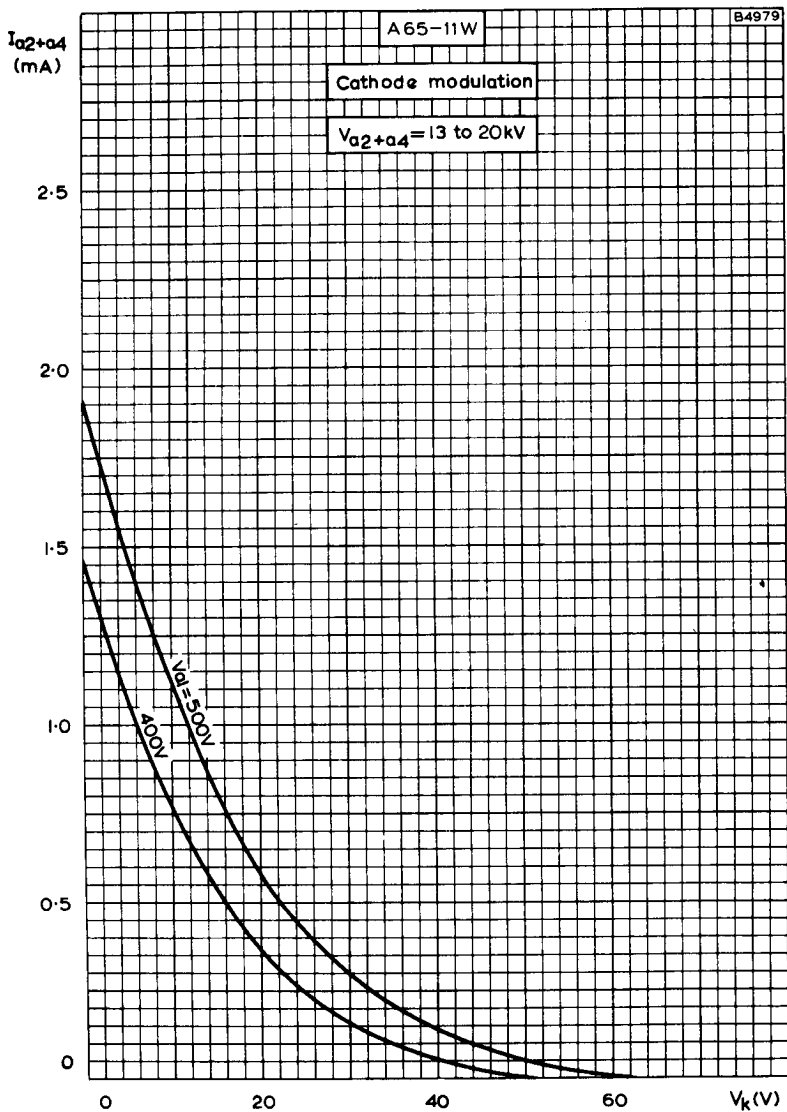
Template for mounting bolts

All dimensions in mm.

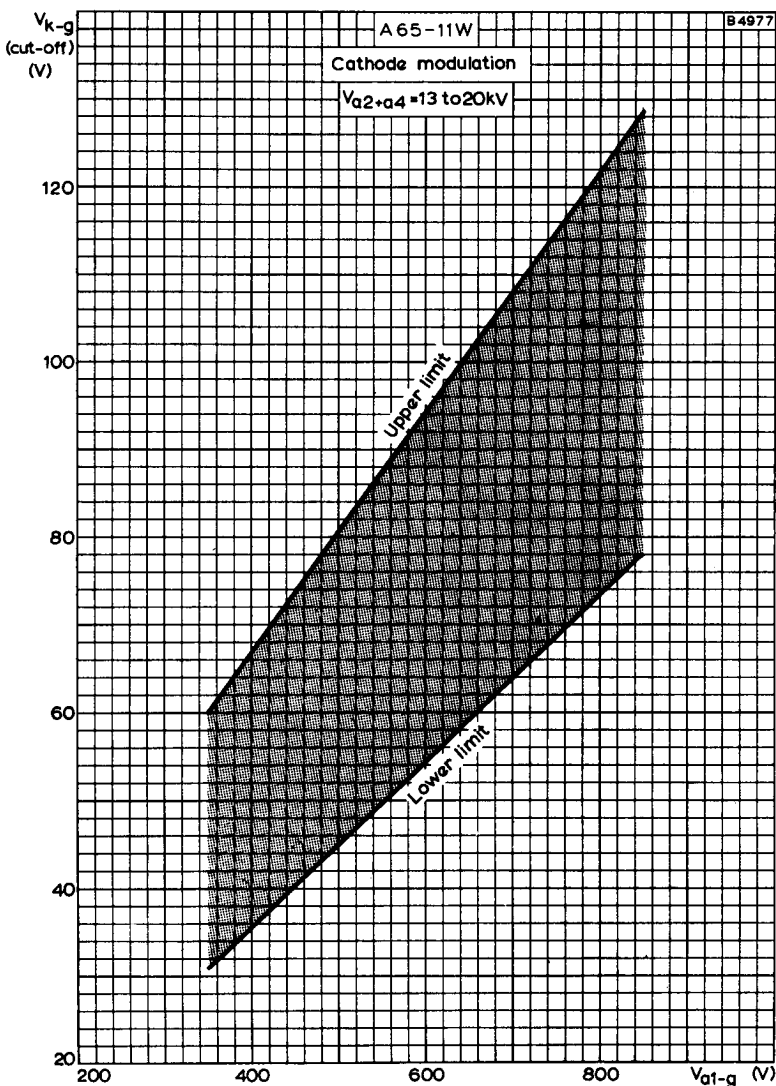
The bolts to be used for mounting the tube must be within the circles of 9.5mm diameter shown in the template drawing.



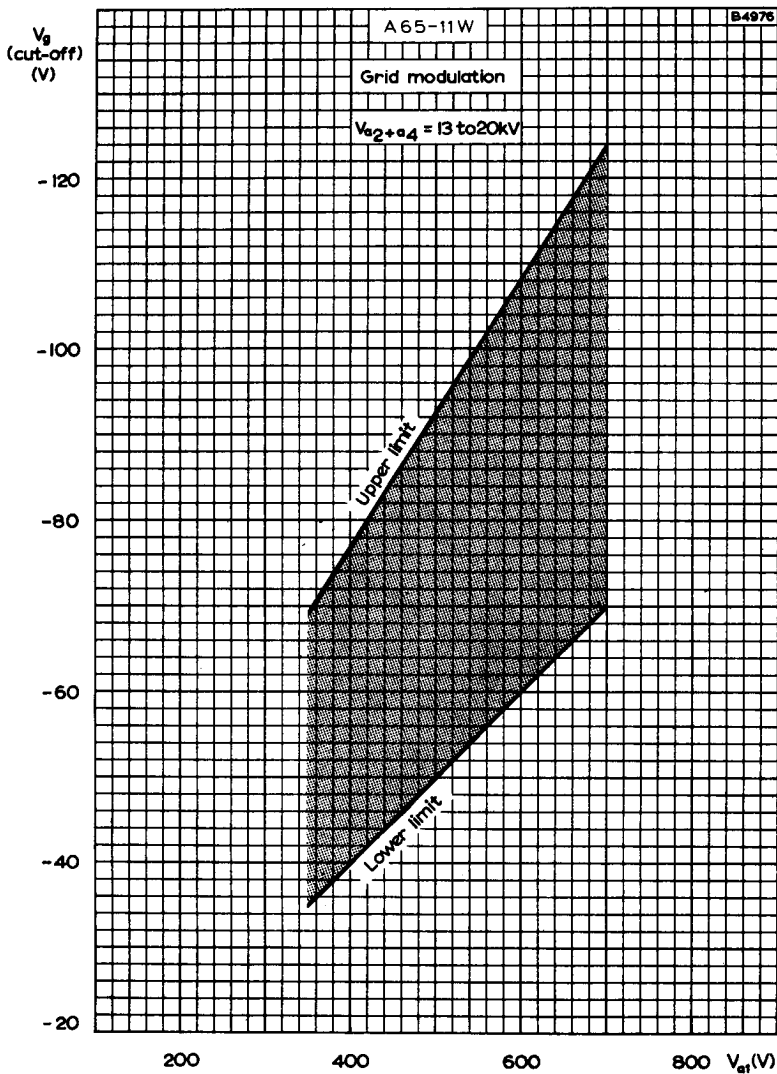
FINAL ANODE CURRENT PLOTTED AGAINST GRID VOLTAGE.
GRID MODULATION.



FINAL ANODE CURRENT PLOTTED AGAINST CATHODE-TO-GRID VOLTAGE, CATHODE MODULATION.



LIMITS OF CATHODE-TO-GRID CUT-OFF VOLTAGE PLOTTED AGAINST FIRST ANODE-TO-GRID VOLTAGE. CATHODE MODULATION.



LIMITS OF GRID CUT-OFF VOLTAGE PLOTTED AGAINST
FIRST ANODE VOLTAGE. GRID MODULATION.